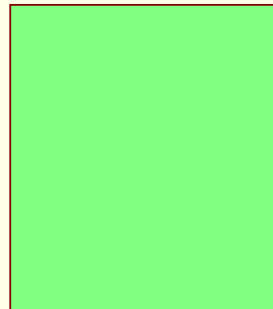


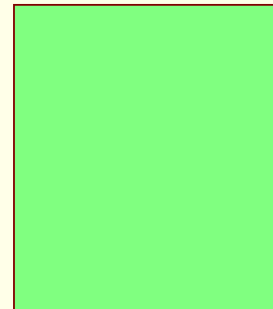
Consew CSM1000 Motor Controller

Serial # 8010509034

Controller



Driver



Consew CMS1000

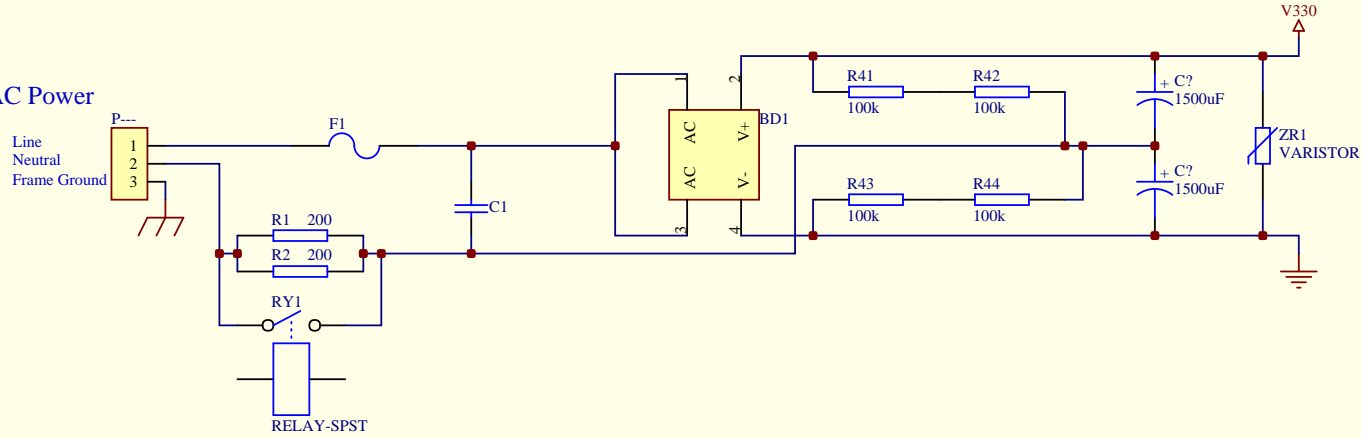
Overview

1 of 3

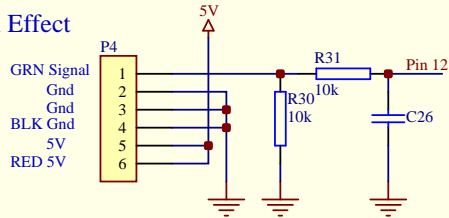
Originate Date	Revision Date	Revision
11-Jul-2015	----	0

Connector pin numbering: Clockwise from Pin 1 in upper left corner, exterior view

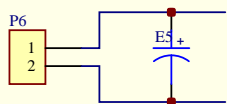
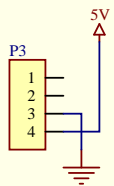
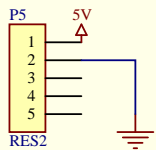
AC Power



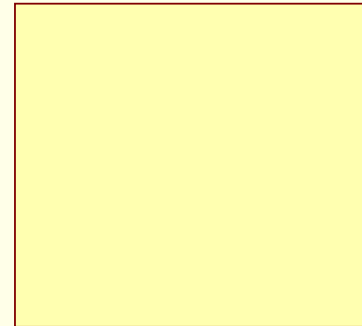
Hall Effect



Display



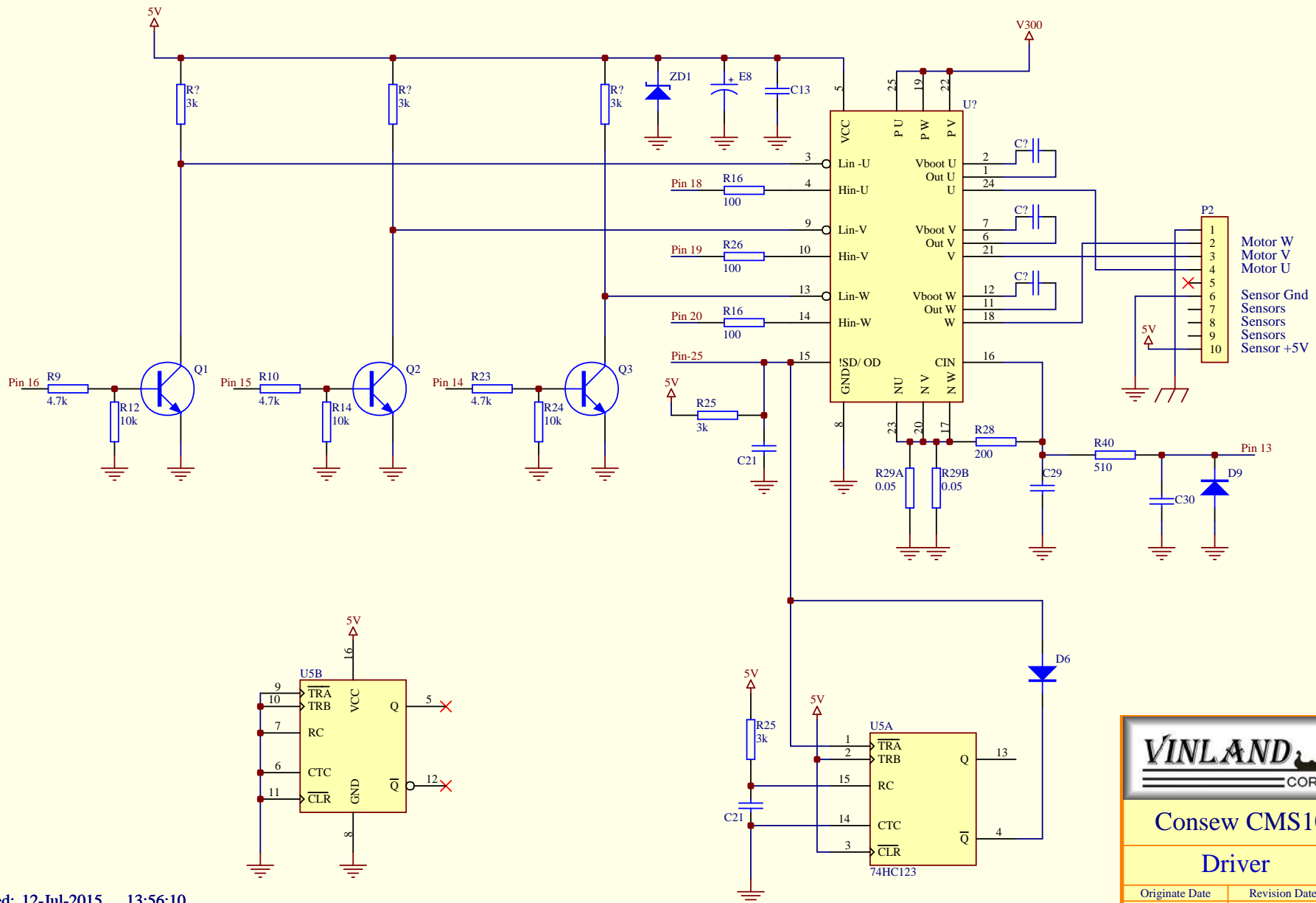
STM8S005K6



Consew CMS1000

Controller 2 of 3

Originate Date	Revision Date	Revision
11-Jul-2015	----	0



VINLAND CORPORATION

Consew CMS1000

Driver 3 of 3

Originate Date	Revision Date	Revision
11-Jul-2015	----	0